

Tektronix Logic Analyzers

► TLA600 Series



Breakthrough Solutions for Real-time Digital Systems Analysis

Today's digital design engineers face daily pressures to speed new products to the marketplace. The TLA600 Series logic analyzers answer the need with breakthrough solutions for the hardware design team, providing the ability to quickly monitor, capture and analyze real-time digital system operation in order to debug, verify and optimize their systems. TLA600 Series logic analyzers are affordable, entry-level logic analyzers, which are ideal for general-purpose state/timing analysis.

The TLA61x/62x logic analyzers feature front-panel controls, an integral display and support an external display simultaneously. The TLA60x logic analyzers utilize an external display.

Hardware developers appreciate the TLA600 Series logic analyzers' range of capabilities. Their broad feature set includes capturing and correlating elusive hardware faults by triggering on glitches and setup/hold violations; providing simultaneous state and high-speed timing analysis; and using state acquisition to find the cause of complex problems. Productivity and connectivity features, such as the open Microsoft Windows 2000 Professional PC platform, make the TLA600 Series logic analyzers easy to use and easy to network into the design environment.

All Tektronix TLA logic analyzers share the same TLA application software so that if you learn one, you can use them all. You can also share setups and data between them as well as display data on Windows PCs with the free TLAVu Offline Data Viewer.

► Features & Benefits

34/68/102/136 Channel Logic Analyzers With Up to 2 Mb Depth

MagniVu™ Acquisition Technology Provides 2 GHz (500 ps) Timing Resolution to Find Difficult Problems Quickly

Up to 200 MHz State Acquisition Analysis of Synchronous Digital Circuits

Simultaneous State and High-speed Timing Analysis Through the Same Probe Pinpoints Elusive Faults Without Double Probing and Reacquisition

500 MHz Deep Timing Analysis with Up to 2 Mb Per Channel

Glitch and Setup/Hold Triggering and Display Finds and Displays Elusive Hardware Problems

Transitional Storage Extends the Signal Analysis Capture Time

Processor and Bus Support

Universal Source Code Support for Correlating High-level Language Source with Real-time Trace

Integrated View (iView) Capability Works with Tektronix TDS Digital Storage Oscilloscopes for Analog/Digital Cross-domain Analysis

► Applications

Digital Hardware Verification and Debug

Monitor and Measure Digital Hardware Performance

Tektronix Logic Analyzers

▶ TLA600 Series

▶ Characteristics

General

Number of Channels (all channels are acquired including clocks) –

TLA601/611/621, TLA7N1: 34 channels
(2 are clock channels).

TLA602/612/622, TLA7N2, TLA7P2: 68 channels
(4 are clock channels).

TLA603/613/623, TLA7N3: 102 channels
(4 are clock and 2 are qualifier channels).

TLA604/614/624, TLA 7N4, TLA 7P4: 136 channels
(4 are clock and 4 are qualifier channels).

Channel Grouping – No limit to number of groups or number of channels per group (all channels can be reused in multiple groups).

Time Stamp – 50-Bit at 500 ps resolution
(6.5 day range).

Clocking/Acquisition Modes – Internal, internal 2X, external. 2 GHz MagniVu high-speed timing is available simultaneous with all modes.

Input Characteristics (with P6417, P6418 or P6434 probes)

Capacitive Loading – 1.4 pF typical data;

2 pF typical clock (P6418).

2 pF typical data and clock (P6417 & P6434).

Threshold Selection Range – From +5.0 V to –2.0 V in 50 mV increments.

Threshold Selection Channel Granularity – Separate selection for clock (1) and data (16) for each 17-Channel probe connector.

Threshold Accuracy (including probe) – ±100 mV.

Input Voltage Range – Operating: 6.5 V_{p-p} centered around the programmed threshold.
Non-destructive: ±15 V.

Minimum Input Signal Swing – 250 mV or 25% of signal swing, whichever is greater (P6417 & P6418).
300 mV or 25% of signal swing (P6434).

Input Signal Minimum Slew Rate –
200 mV/ns typical.

State Acquisition Characteristics (with P6417, P6418 or P6434 probes)

State Clock Rate – 100 MHz standard,
200 MHz optional.

State Data Rate (half/full channels) –
400/200 Mb/s, typical. Requires 200 MHz state option.

State Memory Depth with Timestamps – 64 Kb,
256 Kb, 1 Mb.

Setup Time Selection Range – From 8.5 ns before,
to 7.0 ns after clock edge.

Setup-and-hold Window – 2.0 ns typical.

Minimum Clock Pulse Width – 2 ns.

Active Clock Edge Separation – 5 ns.

Demux Channel Selection – Channels can be demultiplexed to other channels through the user interface with 8-Channel granularity.

Timing Acquisition Characteristics (with P6417, P6418 or P6434 probes)

MagniVu™ Timing – 500 ps (2 GHz).

MagniVu Timing Memory Depth – 2 Kb per channel.

Deep Timing Resolution (half/full channels) –
2 ns, 4 ns to 50 ms.

Deep Timing Resolution with Glitch Storage Enabled – 10 ns to 50 ms.

Deep Timing Memory Depth (half/full channels with timestamps and with or without transitional storage) – 128/64 Kb, 512/256 Kb, 2/1 Mb.

Deep Timing Memory Depth with Glitch Storage Enabled – Half of default main memory depth.

Channel-to-channel Skew – ≤1 ns typical.

Minimum Recognizable Pulse/Glitch Width (single channel) – 2 ns.

Minimum Recognizable Multi-channel Trigger Event – Sample period +2 ns.

Trigger Characteristics

Independent Trigger States – 16.

Maximum Independent If/then Clauses per State – 16.

Maximum Number of Events per If/then Clause – 8.

Maximum Number of Actions per If/then Clause – 8.

Maximum Number of Trigger Events –
18 (2 counter/timers plus any 16 other resources).

Number of Word Recognizers – 16.

Number of Range Recognizers – 4.

Number of Transition Recognizers – 1.

Number of Counter/Timers – 2.

Trigger Event Types – Word, group, channel, transition, range, anything, counter value, timer value, signal, glitch, setup-and-hold violation.

Trigger Action Types – Trigger module, trigger all, store, don't store, start store, stop store, increment counter, reset counter, start timer, stop timer, reset timer, goto state, set/clear signal, do nothing.

Trigger Sequence Rate – DC to 250 MHz (4 ns).

Counter/Timer Range – 51 Bits each
(>100 days at 4 ns).

Counter Rate – DC to 250 MHz (4 ns).

Timer Clock Rate – 250 MHz (4 ns).

Counter/Timer Latency – None (can be tested or reset immediately after starting).

Range Recognizers – Double bounded (can be as wide as any group, must be grouped according to specified order of significance).

Setup-and-hold Violation Recognizer Setup Time Range – From 8 ns before to 7 ns after clock edge in 0.5 ns increments.

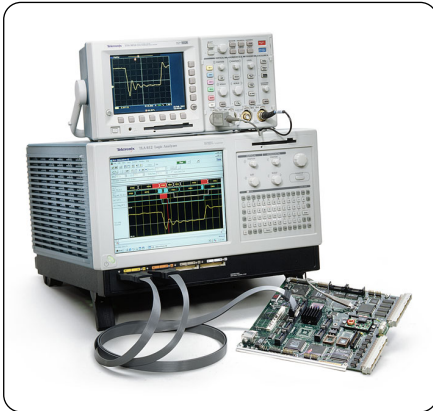
Setup-and-hold Violation Recognizer Hold Time Range – From 7 ns before to 8 ns after clock edge in 0.5 ns increments.

Trigger Position – Any data sample.

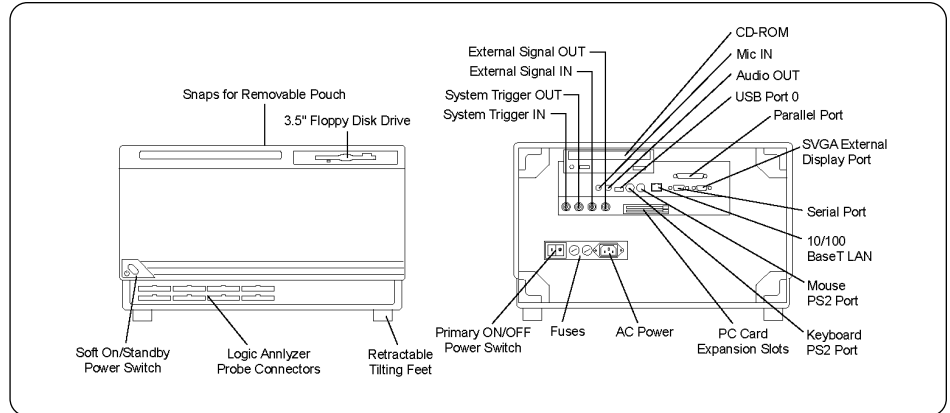
MagniVu Trigger Position – MagniVu data is centered around the module trigger.

Storage Control (data qualification) – Global (conditional), by state (start/stop), by trigger action, or transitional.

Storage Window Granularity – Single sample or block-of-31 samples before and after.



▶ **TLA600 Series with TDS3000 Series oscilloscope.**



▶ **TLA60x Logic Analyzer with external display.**

Integrated View (iView) Capability

TLA mainframe configuration requirements –

TLA6XX instruments.

TLA App S/W V 4.1 or greater.

256 MB DRAM Minimum, 512 MB recommended.

TDS configuration requirements – TDS3GM

GPIB/RS232 Interface Module required for iView

capability on any TDS3000 Series. TDS3GV

GPIB/RS232/VGA Interface Module required for

iView capability on any TDS3000B Series. If using

iView with a TDS6604, order a TCA-BNC connector

to be compatible with BNC cable run from a

TLA7Axx module.

Number of TDS oscilloscopes that can be

connected to a TLA system – 1.

External Oscilloscopes Supported –

TDS3012, TDS3014, TDS3032, TDS3034,

TDS3052, TDS3054.

TDS3012B, TDS3014B, TDS3032B, TDS3034B,

TDS3052B, TDS3054B, TDS5052,

TDS5054, TDS5104.

TDS6604.

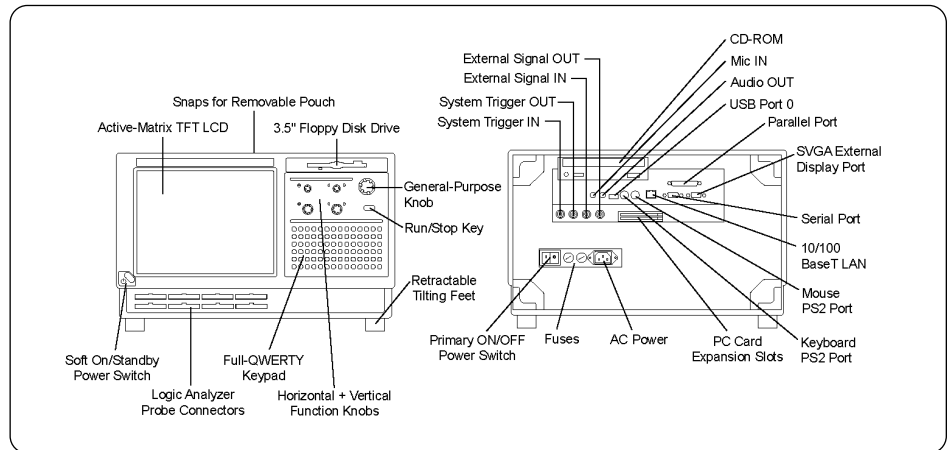
TDS7054, TDS7104, TDS7154, TDS7404.

TDS684C, TDS694C.

CSA7154, CSA7404.

TDS754C, TDS784C, TDS724D, TDS754D,

TDS784D, TDS794D.



▶ **TLA61x/62x Logic Analyzer with internal display.**

TLA Connections – USB, Trigger In, Trigger Out, Clock Out.

TDS Connections – GPIB, Trigger In, Trigger Out, Clock In (when available).

Setup – iView external oscilloscope wizard automates setup.

Data Correlation – After TDS oscilloscope acquisition is complete, data is automatically transferred to the TLA and time correlated with the TLA acquisition data.

Deskew – TDS and TLA data is automatically deskewed and time correlated when using the iView external oscilloscope cable.

iView External Oscilloscope Cable Length – 2 m.

TLA600 PC Characteristics

Operating System – Microsoft Windows 2000 Professional.

Processor – Intel Celeron.

Chipset – Intel 810.

DRAM – 256 MB SDRAM (512 MB with Opt. 1J).

Sound – Built-in PC speaker transducer; 16-Bit I/O and Mic In port.

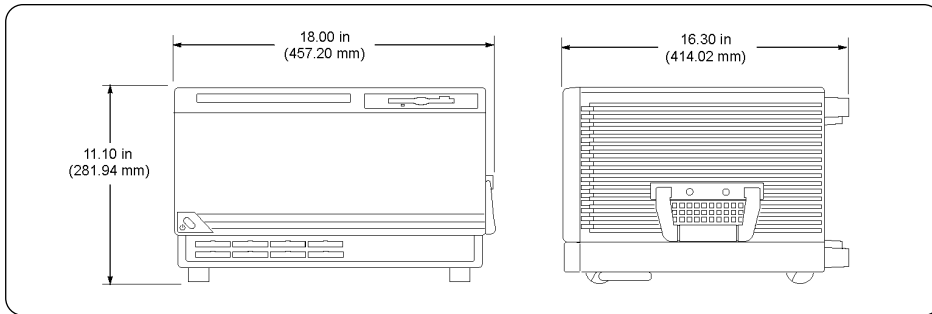
Hard Disk Drive – 10 GB (30 GB with Opt. 1J).

CD-ROM – Internal 16/8/32 CD-RW.

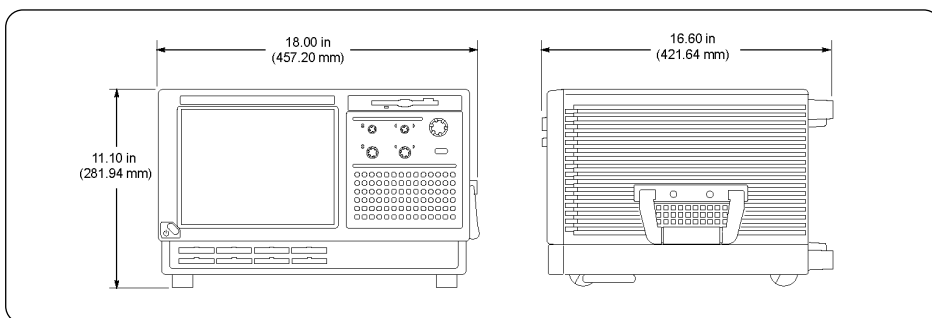
Floppy Disk Drive – Built-in 3.5 in. 1.44 MB drive.

Tektronix Logic Analyzers

▶ TLA600 Series



▶ **TLA60x** Logic Analyzer with external display.



▶ **TLA61x/62x** Logic Analyzer with internal display.

TLA600 Integral Controls (TLA61x/62x only)

Front-Panel Display –

Size: 10.4 in. diagonal.

Type: Active-matrix color TFT LCD with backlight.

Resolution: 800x600.

Colors: 16.8 M (true color).

Simultaneous Display Capability – The front-panel and external displays can be used simultaneously, each with independent resolutions.

Front-panel Knobs – Special function knobs for instrument control.

Front-panel QWERTY Keypad – Mini-QWERTY keypad.

TLA600 External Peripheral Interfaces

External Display Port Type – Female DB15 SVGA connector.

External Display Resolution – Up to 1280x1024 non-interlaced at 16 M colors.

LAN Port Type – 10/100Base-T, RJ-45.

External Keyboard Port Type – PS2 mini-DIN.

External Mouse Port Type – PS2 mini-DIN.

Parallel Interface Port Type – Female DB25.

Parallel Interface Modes – Centronics mode, EPP (Extended Parallel Port), ECP (Microsoft high-speed mode).

Serial Interface Port Type – Male DB9.

Audio Out Port Type – Stereo minijack.

Mic In Port Type – Minijack.

PC Card (CardBus) Slot Types – Two slots, two PC card type I/II or one PC card type III.

USB Port – One (1).

Symbolic Support

Number of Symbols/Ranges – Unlimited (limited only by amount of virtual memory available on TLA).

Object File Formats Supported –

- ▶ IEEE695
- ▶ OMF 51, OMF 86, OMF 166, OMF 286, OMF 386
- ▶ COFF
- ▶ Elf/Dwarf 1 and 2
- ▶ Elf/Stabs
- ▶ TSF (if your software development tools do not generate output in one of the above formats, TSF or the Tektronix symbol file, a generic ASCII file format is supported. The generic ASCII file format is documented in the TLA User Manual). If a format is not listed, please contact your local Tektronix representative.

External Instrumentation Interfaces

System Trigger Output – Asserted whenever a system trigger occurs (TTL-compatible output, back-terminated into 50 Ω).

System Trigger Input – Forces a system trigger (triggers all modules) when asserted (TTL-compatible, edge-sensitive, falling-edge latched).

External Signal Output – Can be used to drive external circuitry from a module's trigger mechanism (TTL-compatible output, back-terminated into 50 Ω).

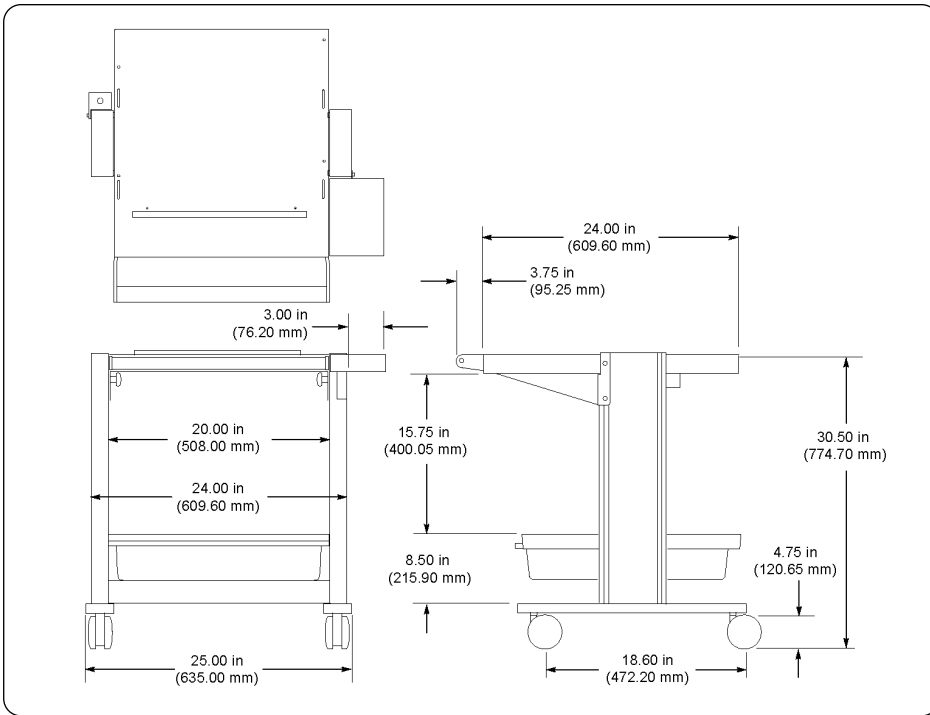
External Signal Input – Can be used to provide an external signal to arm or trigger any or all modules (TTL-compatible, level-sensitive).

Power

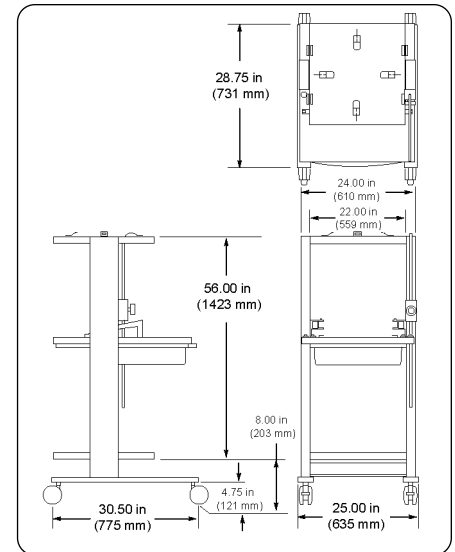
TLA60x/61x/62x –

Voltage range/frequency: 90-250 VAC at 45-66 Hz.
100-132 VAC at 360-440 Hz.

Input current: 6 A maximum at 90 VAC (70 A surge).
Power consumption: 400 W maximum.



▶ **LACART Instrument Cart** (adjustable probe skyhook not shown).



▶ **K4000 Instrument Cart**.

Physical Characteristics

TLA60x

Dimensions	mm	in.
Height	281.94	11.1
Width	457.2	18
Depth	414.02	16.3
Weight	kg	lb.
Net (w/o probes)	16.8	37
Shipping (typical)	38.6	85

TLA61x/62x

Dimensions	mm	in.
Height	281.94	11.1
Width	457.2	18
Depth	414.02	16.3
Weight	kg	lb.
Net (w/o probes)	17.3	38
Shipping (typical)	39.1	86

Environmental

Temperature –

Operating: +5°C to +50°C.
Nonoperating: –20°C to +60°C.

Humidity –

20% to 80%.
Operating: ≤30°C; 80% relative humidity (29°C maximum wet bulb temperature).
Nonoperating: 8% to 80% (29°C maximum wet bulb temperature).

Altitude –

Operating: –1,000 ft. to 10,000 ft. (–305 meters to 3,050 meters).

Safety – UL3111-1, CSA1010.1, EN61010-1, IEC61010-1.

Tektronix Logic Analyzers

▶ TLA600 Series

▶ Ordering Information

TLA60x

Logic Analyzer with External Display.

Includes: Wheel mouse, keyboard, front-panel cover, accessory pouch, probe retainer bracket, probe manual, power cord (North American 120 VAC, 60 Hz), software, user manual, certificate of calibration, and one-year warranty (return to Tektronix). Display is not included.

Probes must be ordered separately - Order Opt. 1P (P6418) or Opt. 2P (P6434) or Opt. 3P (P6417). You can also choose to order any combination and quantity of probes by ordering the P6418, P6434 or P6417 individually.

TLA601 – 34-Channel Logic Analyzer, 2 GHz timing, 100 MHz state, 64 K depth (must select one probe option below). Options for up to 256 K depth and/or 200 MHz state. Requires external display.

TLA602 – 68-Channel Logic Analyzer, 2 GHz timing, 100 MHz state, 64 K depth (must select one probe option below). Options for up to 256 K depth and/or 200 MHz state. Requires external display.

TLA603 – 102-Channel Logic Analyzer, 2 GHz timing, 100 MHz state, 64 K depth (must select one probe option below). Options for up to 256 K depth and/or 200 MHz state. Requires external display.

TLA604 – 136-Channel Logic Analyzer, 2 GHz timing, 100 MHz state, 64 K depth (must select one probe option below). Options for up to 256 K depth and/or 200 MHz state. Requires external display.

▶ Quantity of Probes per Option

Option	TLA601/611/621	TLA602/612/622	TLA603/613/623	TLA604/614/624
1P Add P6418 Probes	2	4	6	8
2P Add P6434 Probes	1	2	3	4
3P Add P6417 Probes	2	4	6	8

Please refer to the "Logic Analyzer Probe Selection Guidelines" for further details on the probe which is best for your application.

TLA61x

Logic Analyzer with Internal Display.

Includes: Wheel mouse, keyboard, front-panel cover, accessory pouch, probe retainer bracket, probe manual, power cord (North American 120 VAC, 60 Hz), software, user manual, certificate of calibration, and one-year warranty (return to Tektronix).

Probes must be ordered separately - Order Opt. 1P (P6418) or Opt. 2P (P6434) or Opt. 3P (P6417). You can also choose to order any combination and quantity of probes by ordering the P6418, P6434 or P6417 individually.

TLA611 – 34-Channel Logic Analyzer, 2 GHz timing, 100 MHz state, 64 K depth (must select one probe option below). Options for up to 256 K depth and/or 200 MHz state.

TLA612 – 68-Channel Logic Analyzer, 2 GHz timing, 100 MHz state, 64 K depth (must select one probe option below). Options for up to 256 K depth and/or 200 MHz state.

TLA613 – 102-Channel Logic Analyzer, 2 GHz timing, 100 MHz state, 64 K depth (must select one probe option below). Options for up to 256 K depth and/or 200 MHz state.

TLA614 – 136-Channel Logic Analyzer, 2 GHz timing, 100 MHz state, 64 K depth (must select one probe option below). Options for up to 256 K depth and/or 200 MHz state.

TLA62x

Logic Analyzer with Internal Display.

Includes: Wheel mouse, keyboard, front-panel cover, accessory pouch, probe retainer bracket, probe manual, power cord (North American 120 VAC, 60 Hz), software, user manual, certificate of calibration, one-year warranty (return to Tektronix).

Probes must be ordered separately - Order Opt. 1P (P6418) or Opt. 2P (P6434) or Opt. 3P (P6417). You can also choose to order any combination and quantity of probes by ordering the P6418, P6434 or P6417 individually.

TLA621 – 34-Channel Logic Analyzer, 2 GHz timing, 100 MHz state, 1 M depth (must select one probe option below). Option for up to 200 MHz state.

TLA622 – 68-Channel Logic Analyzer, 2 GHz timing, 100 MHz state, 1 M depth (must select one probe option below). Option for up to 200 MHz state.

TLA623 – 102-Channel Logic Analyzer, 2 GHz timing, 100 MHz state, 1 M depth (must select one probe option below). Option for up to 200 MHz state.

TLA624 – 136-Channel Logic Analyzer, 2 GHz timing, 100 MHz state, 1 M depth (must select one probe option below). Option for up to 200 MHz state.

Logic Analyzer Probe Options

Opt. 1P – Add full complement of P6418 17-Channel general-purpose probes (each includes two 8-Channel leadsets, one 1-Channel leadset, 20 SMT KlipChip™ grabber tips).

Opt. 2P – Add full complement of P6434 34-Channel high-density probe(s).

Opt. 3P – Add full complement of P6417 17-Channel general-purpose probes that allow you to separate the 8-channel podlet groups into individual channels (each includes two 8-Channel leadsets, one 1-Channel leadset, 20 SMT KlipChip grabber tips).

▶ **TLA Family Service Options**

	TLA6XX	TLA715/721	TLA7XM	TLA7Axx	TLA7NX/PX/QX	TLA7PG2	TLA7DX/EX
Opt. IN		X	X	X	X	X	X
Opt. R3	X	X	X	X	X	X	X
Opt. R5	X	X	X	X	X	X	X
Opt. S1		X	X				
Opt. S3		X	X				
Opt. C3	X	X		X	X	X	X
Opt. C5	X	X		X	X	X	X
Opt. D1	X	X		X	X	X	X
Opt. D3	X	X		X	X	X	X
Opt. D5	X	X		X	X	X	X

TLA60X/61X Logic Analyzer Options

(Base configuration is 64 K depth at 100 MHz state).

Opt. 1S – Increase to 256 K depth at 100 MHz state.

Opt. 4S – Increase to 64 K depth at 200 MHz state.

Opt. 5S – Increase to 256 K depth at 200 MHz state.

TLA62X Logic Analyzer Option

(Base configuration is 1 M depth at 100 MHz state).

Opt. 6S – Increase to 1 M depth at 200 MHz state.

TLA600 Series Upgrades

You can upgrade the operating system, TLA application software, increase DRAM and hard disk of your existing TLA600 logic analyzer. You can also increase the memory depth and state speed of most existing TLA600 Series logic analyzers.

Please refer to TLA Family Upgrade Guide for further details.

TLA60X/61X/62X Options

Opt. 1C – Add iView external oscilloscope cable kit (012-1614-00).

TLA60X/61X/62X International Power Plugs

Opt. A1 – Universal Euro 220 VAC; 50 Hz.

Opt. A2 – UK 240 VAC; 50 Hz.

Opt. A3 – Australian 240 VAC; 50 Hz.

Opt. A4 – North American 240 VAC; 60 Hz.

Opt. A5 – Switzerland 220 VAC; 50 Hz.

Opt. A99 – No Power Cord.

TLA60X/61X/62X Optional Accessories

Logic Analyzer Cart – LACART, K4000.

TLA60X/61X/62X Rackmount Kit – Order 016-1790-00.

TLA60X/61X/62X Wheeled Transport Case – Order 016-1522-00.

17 in. Monitor Transport Case – Order 016-1653-00.

21 in. Monitor Transport Case – Order 016-1652-00.

83 Key Notebook Keyboard, PS2-Compatible – Order 118-9402-00.

TLA7QS – TLA Family training package. (TLA configuration required: 102 channels).

Opt. A1 – Universal Euro.

Opt. A2 – United Kingdom.

Opt. A6 – Japan.

TLA7QS Technical Reference Support Kit – Order 020-2211-02.

TLA600 Series Manuals

TLA Family User Manual – Order 071-0863-02 (for Version 4.2 TLA application software).

TLA7QS Quickstart Training Manual – Order 070-9717-05.

TLA600 Series Service Manuals and Test Fixtures

TLA60x/61x/62x Service Manual (includes performance verification and adjustment procedures) – Order 071-0728-02.

TLA Logic Analyzer Adjustment Fixture (includes AC adapter; requires local power cord) – Order 671-3599-00.

TLA Family Service Options

Opt. IN – Product installation service (on-site configuration and user familiarization; excluding network integration).

Opt. R3 – Extends depot repair warranty service period to three years.

Opt. R5 – Extends depot repair warranty service period to five years.

Opt. S1 – Uplifts standard one-year warranty service of mainframe and installed modules to on-site service.

Opt. S3 – Uplifts Opt. C3 and/or R3 of mainframe and installed modules to on-site service (must be ordered with Opt. C3 and/or R3).

Opt. C3 – Three years of calibration service (includes initial calibration and two annual calibrations).

Opt. C5 – Five years of calibration service (includes initial calibration and four annual calibrations).

Opt. D1 – Add calibration test data report.

Opt. D3 – Provides test data for each calibration (must be ordered with Opt. C3).

Opt. D5 – Provides test data for each calibration (must be ordered with Opt. C5).

Tektronix Logic Analyzers

▶ TLA600 Series

Contact Tektronix:

ASEAN Countries & Pakistan (65) 6356 3900

Australia & New Zealand (65) 6356 3900

Austria +43 2236 8092 262

Belgium +32 (2) 715 89 70

Brazil & South America 55 (11) 3741-8360

Canada 1 (800) 661-5625

Central Europe & Greece +43 2236 8092 301

Denmark +45 44 850 700

Finland +358 (9) 4783 400

France & North Africa +33 (0) 1 69 86 80 34

Germany +49 (221) 94 77 400

Hong Kong (852) 2585-6688

India (91) 80-2275577

Italy +39 (02) 25086 1

Japan (Sony/Tektronix Corporation) 81 (3) 3448-3111

Mexico, Central America & Caribbean 52 (55) 56666-333

The Netherlands +31 (0) 23 569 5555

Norway +47 22 07 07 00

People's Republic of China 86 (10) 6235 1230

Poland +48 (0) 22 521 53 40

Republic of Korea 82 (2) 528-5299

Russia, CIS & The Baltics +358 (9) 4783 400

South Africa +27 11 254 8360

Spain +34 (91) 372 6055

Sweden +46 8 477 6503/4

Taiwan 886 (2) 2722-9622

United Kingdom & Eire +44 (0) 1344 392400

USA 1 (800) 426-2200

For other areas contact Tektronix, Inc. at: 1 (503) 627-7111

Updated 8 February 2002



For the most up-to-date product information
visit our web site at www.tektronix.com

Copyright © 2002, Tektronix, Inc. All rights reserved. Tektronix products are covered by U.S. and foreign patents, issued and pending. Information in this publication supersedes that in all previously published material. Specification and price change privileges reserved. TEKTRONIX and TEK are registered trademarks of Tektronix, Inc. All other trade names referenced are the service marks, trademarks or registered trademarks of their respective companies.

02/02 HB/XBS

52W-15052-0