



Agilent 85046A/B and 85047A Solid-State Switching S-Parameter Test Sets

Data Sheet

300 kHz to 6 GHz

New test sets for the Agilent 8753 network analyzer family

Solid-state test port switches are standard for the Agilent 85046A/B and 85047A S-Parameter Test Sets. These new test sets improve the speed, accuracy and ease of RF component measurements with the 8753.

With the 8753 Network Analyzer, these test sets comprise a complete system for measuring the magnitude, phase and group delay response of RF components in the 300 kHz to 6 GHz frequency range.

There are three S-Parameter test sets in the 8753 family. The 85046A is a 50-ohm model that operates from 300 kHz to 3 GHz. The 85046B is a 75-ohm version that covers the frequency range of 300 kHz to 2 GHz. The 85047A is a 50-ohm test set that extends the frequency range to 6 GHz.

Faster, more accurate S-parameter measurements

Improve the speed and accuracy of your S-Parameter measurements with a solid-state switching test set. These new test sets provide faster, more accurate measurements by continuously updating all four S-Parameters when a full two-port error correction is used. Measurement speed is improved by 160 milliseconds each time the trace is updated for sweeps with 101 points or more.

Measure forward and reverse parameters simultaneously

Solid-state switching allows the selection of any two S-Parameters, both continuously updated, on the display. For example, when adjusting the bias of an amplifier, it is often required to simultaneously monitor the forward gain and output match. Mechanical versions of the 85046A/B and 85047A test sets will update either forward or reverse parameters continuously but not a combination of both.

Simplify tuning procedures

Solid-state switching is ideal for use in tuning applications where all four S-Parameters are changing. It is no longer necessary to press MEASURE RESTART when using a full two-port error correction. All four S-Parameters are being continuously measured.

Improved reliability for automatic measurement systems

Solid-state switches have no mechanical parts, and therefore will not wear out in a continuously measuring automatic test system. Mechanical test set switches (Option 009) typically have a lifetime in excess of three million cycles. The solid-state switches will typically extend the lifetime indefinitely.



Agilent Technologies

Achieve the highest system accuracy with faster measurement speeds

The specifications listed in the table and the typical measurement uncertainties shown below apply to all Agilent 8753C systems using either solid-state switching (standard) or mechanical (Option 009) versions of the test sets.

Test set specifications

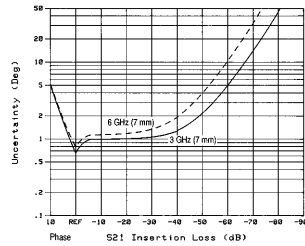
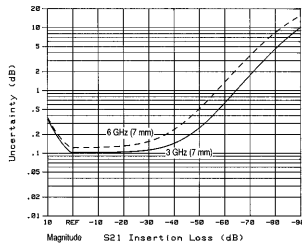
Specifications describe the instrument's warranted performance over the temperature range 0 to +55 °C (except where noted).

Parameter	85046A (50 Ω)	85046B (75 Ω)	85047A (50 Ω)
Frequency Range:	300 kHz to 3 GHz	300 kHz to 2 GHz	300 kHz to 3 GHz/3 MHz to 6 GHz
Directivity ¹ Port 1, 2:	≥35 dB: 300 kHz to 1.3 GHz ≥30 dB: 1.3 GHz to 3 GHz	≥35 dB: 300 kHz to 1.3 GHz ≥30 dB: 1.3 GHz to 2 GHz	≥35 dB: 300 kHz to 1.3 GHz ≥30 dB: 1.3 GHz to 3 GHz ≥25 dB: 3 GHz to 6 GHz
Effective Source Match ¹ :	≥14 dB: 300 kHz to 2 MHz ≥20 dB: 2 MHz to 1.3 GHz ≥16 dB: 1.3 GHz to 3 GHz	≥14 dB: 300 kHz to 2 MHz ≥17 dB: 2 MHz to 1.3 GHz ≥16 dB: 1.3 GHz to 2 GHz	≥20 dB: 300 kHz to 1.3 GHz ≥16 dB: 1.3 GHz to 3 GHz ≥14 dB: 3 GHz to 6 GHz
Switch Repeatability:	±0.03 dB		

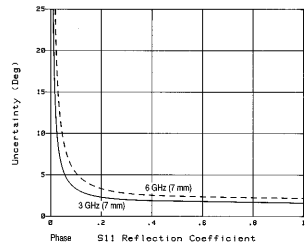
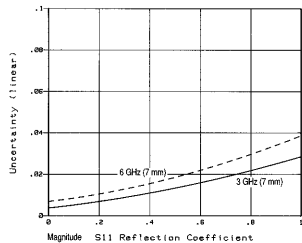
8753C System measurement uncertainty²

The graphs below show the typical measurement uncertainty for the 8753C using full 2-port error correction with the Agilent 85031B 7-mm Calibration Kit.

Transmission measurements³



Reflection measurements⁴



1. Can be greatly improved by accuracy enhancement techniques.
2. These measurement uncertainty curves utilize an RSS model for the contributions of random errors, and a worst-case model for the contributions of dynamic accuracy and residual systematic errors.
3. The graphs shown for transmission measurements assume a well-matched device ($S_{11}=S_{22}=0$).
4. The graphs for reflection measurement uncertainty apply to either a one-port device or a two-port device with more than 6 dB of insertion loss.

Supplemental characteristics

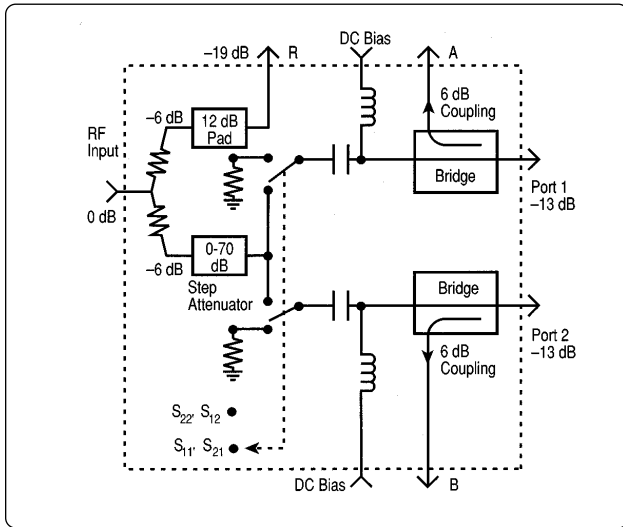
Supplemental characteristics are intended to provide information useful in applying the instrument by giving typical but non-warranted performance parameters. These are denoted as “typical”, “nominal”, or “approximate”.

Key performance parameters for these test sets are listed in the table. Standard (solid-state) and Option 009 (mechanical) test sets have identical performance except where noted below. Further, these performance differences only affect the measurement uncertainties of an “uncorrected” 8753C network analyzer system.

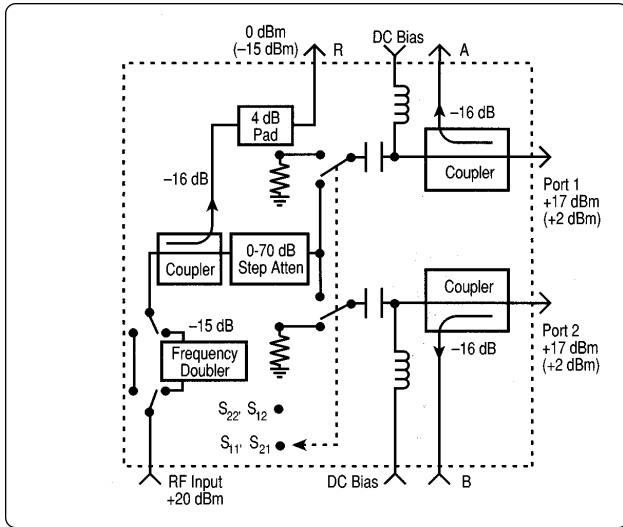
Parameter	85046A	85046B	85047A
Transmission Tracking ¹ :			
Magnitude ⁵ :			
Standard:	±1.5 dB	±1.5 dB	±2 dB
Option 009:	±1.5 dB	±1.5 dB	±1.5 dB
Phase ⁶ :			
	±20 deg: 300 kHz to 2 MHz ±10 deg: 2 MHz to 3 GHz	±20 deg: 300 kHz to 2 MHz ±10 deg: 2 MHz to 2 GHz	±10 deg: 300 kHz to 3 GHz ±20 deg: 3 GHz to 6 GHz
Reflection Tracking ¹ :			
Magnitude ⁵ :			
Standard:	±1.5 dB	±1.5 dB	±2 dB
Option 009:	±1.5 dB	±1.5 dB	±1.5 dB
Phase ⁶ :			
	±25 deg: 300 kHz to 2 MHz ±10 deg: 2 MHz to 3 GHz	±25 deg: 300 kHz to 2 MHz ±10 deg: 2 MHz to 2 GHz	±10 deg: 300 kHz to 3 GHz ±20 deg: 3 GHz to 6 GHz
Nominal Insertion Loss:			
RF IN to Port 1, 2:			
Standard:	14 dB +0.5 dB/GHz	19.5 dB +1 dB/GHz	4 dB +0.8 dB/GHz: 300 kHz to 3 GHz 17.5 dB +0.8 dB/GHz: 3 GHz to 6 GHz
Option 009:	12.5 dB +0.5 dB/GHz	18 dB +1 dB/GHz	2.5 dB +0.5 dB/GHz: 300 kHz to 3 GHz 16 dB +0.5 dB/GHz: 3 GHz to 6 GHz
RF IN to R:	18 dB +1.5 dB/GHz	18 dB +1.5 dB/GHz	19 dB +0.5 dB/GHz: 300 kHz to 3 GHz 34 dB +0.5 dB/GHz: 3 GHz to 6 GHz
Typical Isolation between Port 1 and 2:			
	100 dB	100 dB	100 dB: 300 kHz to 3 GHz 90 dB: 3 GHz to 6 GHz
Nominal Impedance:			
Port 1, 2:			
RF IN, R, A, B:	50 Ω Nominal	75 Ω Nominal	50 Ω Nominal
DC bias input range:			
	+30 VDC, ±200 mA with some degradation in RF specifications (±500 mA maximum)		+30 VDC, ±200 mA with no degradation in RF specifications (±1 A maximum)
Connectors:			
Port 1, 2:			
RF IN, R, A, B:	7 mm	75 Ω Type-N(f)	7 mm
DC bias input:	50 Ω Type-N(f)	50 Ω Type-N(f)	50 Ω Type-N(f)
	BNC(f)	BNC(f)	BNC(f)

5. Deviation from mean value.

6. Deviation from linear phase.



Agilent 85046A/B schematic



Agilent 85047A schematic

Ordering summary

85046A	50-ohm S-parameter test set
Option 009	Substitute mechanical test port switch
85046B	75-ohm S-parameter test set
Option 009	Substitute mechanical test port switch
85047A	50-ohm S-parameter test set (6 GHz)
Option 009	Substitute mechanical test port switch

Agilent Technologies' Test and Measurement Support, Services, and Assistance

Agilent Technologies aims to maximize the value you receive, while minimizing your risk and problems. We strive to ensure that you get the test and measurement capabilities you paid for and obtain the support you need. Our extensive support resources and services can help you choose the right Agilent products for your applications and apply them successfully. Every instrument and system we sell has a global warranty. Support is available for at least five years beyond the production life of the product. Two concepts underlie Agilent's overall support policy: "Our Promise" and "Your Advantage."

Our Promise

Our Promise means your Agilent test and measurement equipment will meet its advertised performance and functionality. When you are choosing new equipment, we will help you with product information, including realistic performance specifications and practical recommendations from experienced test engineers. When you use Agilent equipment, we can verify that it works properly, help with product operation, and provide basic measurement assistance for the use of specified capabilities, at no extra cost upon request. Many self-help tools are available.

Your Advantage

Your Advantage means that Agilent offers a wide range of additional expert test and measurement services, which you can purchase according to your unique technical and business needs. Solve problems efficiently and gain a competitive edge by contracting with us for calibration, extra-cost upgrades, out-of-warranty repairs, and on-site education and training, as well as design, system integration, project management, and other professional engineering services. Experienced Agilent engineers and technicians worldwide can help you maximize your productivity, optimize the return on investment of your Agilent instruments and systems, and obtain dependable measurement accuracy for the life of those products.

By internet, phone, or fax, get assistance with all your test & measurement needs

Online assistance:

www.agilent.com/find/assist

Phone or Fax:

United States:
(tel) 1 800 452 4844

Latin America:
(tel) (305) 269 7500
(fax) (305) 269 7599

Canada:
(tel) 1 877 894 4414
(fax) (905) 282 6495

Australia:
(tel) 1 800 629 485
(fax) (61 3) 9210 5947

Europe:
(tel) (31 20) 547 2323
(fax) (31 20) 547 2390

New Zealand:
(tel) 0 800 738 378
(fax) 64 4 495 8950

Japan:
(tel) (81) 426 56 7832
(fax) (81) 426 56 7840

Asia Pacific:
(tel) (852) 3197 7777
(fax) (852) 2506 9284

Product specifications and descriptions in this document subject to change without notice.

Copyright © 2001 Agilent Technologies
Printed in U.S.A. May 8, 2001
5952-2765